

Technical Data
Datasheet 6132, Rev. -

SiC FET Full Bridge with Integrated Gate Drive

FEATURES:

- 1200VDC max voltage
- 60A max current
- Compact package
- Temperature range -55°C to +125°C
- Efficient conduction cooled design
- Total weight: 1.10 oz.



DESCRIPTION:

This SiC FET Full Bridge power module can be used in various applications including, but not limited to, power converters and motor drives. The integrated gate drive simplifies the system design and optimizes the dynamic performance of the bridge.

The small size of this complete module makes it ideal for high reliability industrial, aerospace, and military applications.

ABSOLUTE MAXIMUM RATINGS

PARAMETER	SYMBOL	MIN	MAX	UNIT
DC Bus Supply Voltage			1200	V
PWM Switching Frequency	F_{SW}	-	500	kHz
Continuous Drain Current, each Leg of Full Bridge	I_D	-	60	A
Pulsed Drain Current, each Leg of Full Bridge Pulse Width limited by T_{jmax}	$I_{D(pulse)}$	-	120	A
Junction Temperature	T_{jmax}	-55	150	°C
Storage Temperature	T_{smax}	-55	150	°C
Operating Temperature on Cold Plate	T_{cmax}	-55	125	°C

Technical Data
Datasheet 6132, Rev. -

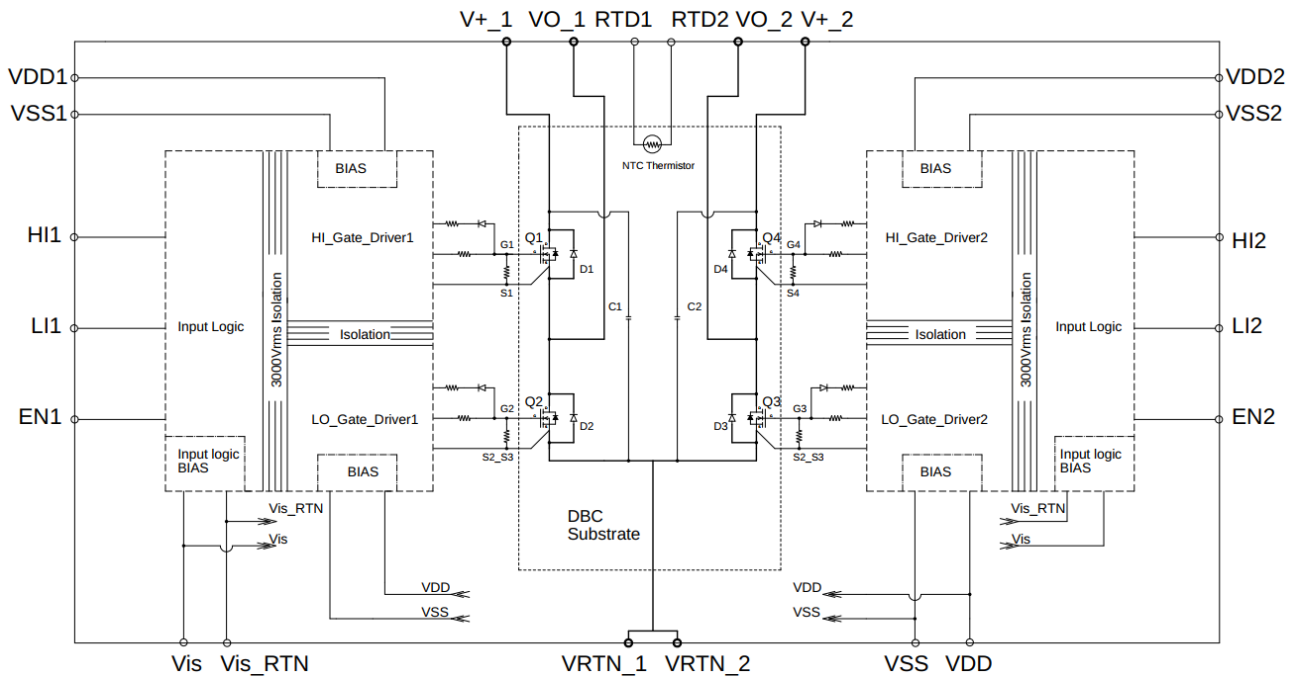


Figure 1 – Block Diagram

Connections for Full Bridge Application

V+ ₁ , V+ ₂ :	both pins must connect to DC Bus power supply's Positive, no internal connection between these two pins
VRTN ₁ , VRTN ₂ :	both pins must connect to DC Bus power supply's Return, VRTN ₁ and VRTN ₂ are internally tied together
VO ₁ , VO ₂ :	output connections
HI1, LI1, HI2, LI2:	gate control inputs; internally bypassed to V _{is_RTN} with 1.0kohm resistor and 22pF capacitor, external in-line resistors [33ohm, 59ohm] recommended
EN1, EN2:	enable driver outputs; internally bypassed to V _{is_RTN} with 1.0kohm resistor and 1nF capacitor, external in-line resistors [33ohm, 59ohm] recommended
Vis /V _{is} , V _{is_RTN} :	power supply input to logic circuitry
VDD /VDD, VSS:	power supply input to LO_Gate_Driver1 and LO_Gate_Driver2 circuitry
VDD1 /VDD1, VSS1:	power supply input HI_Gate_Driver1 circuitry
VDD2 /VDD2, VSS2:	power supply input for HI_Gate_Driver2 circuitry
RTD1, RTD2	connection to internal thermistor

- Requirements to DC Bus power supply, |V_{is}|, |VDD|, |VDD1| and |VDD2|:
 Minimum 2000VDC isolation between |VDD|, |VDD1| and |VDD2|
 Minimum 2000VDC isolation between |VDD1|/|VDD2| power supplies and DC Bus power supply.
 Power supply to |VDD| needs to be isolated to DC Bus power supply: VSS is internally clamped 3.6V below VRTN₁/VRTN₂, for negative gate drive
 3000VRMS isolation between power supply to |V_{is}| and DC Bus/|VDD1|/|VDD2| power supplies is recommended

Technical Data

Datasheet 6132, Rev. -

ELECTRICAL CHARACTERISTICS OF FULL BRIDGE, PER EACH LEG

T_J=25°C, UNLESS OTHERWISE SPECIFIED.

Production units are tested at room temperature. Low/High temperature operation is guaranteed by design.

SYMBOL	PARAMETER	MIN	TYP	MAX	UNIT
V _{+_1} , V _{+_2}	DC Bus Supply Voltage, to V _{_RTN1} , V _{_RTN_2}		- 400	1200 600	VDC
MOSFET (Q1, Q2, Q3, Q4) Characteristics					
BV _{DSS}	Drain to Source Breakdown Voltage I _D = 100 μA, V _{GS} = 0V	1200			VDC
I _D	Continuous Drain Current T _J = 25°C T _J = 125°C			60 30	A
I _{D(pulse)}	Pulsed Drain Current			120	A
V _{GS}	Gate to Source Voltage		-4/+15 Static	-8/+19 Dynamic	VDC
I _{GSS}	Gate-Source Leakage Current V _{GS} = +15V, V _{DS} = 0V		10	250	nA
V _{GS(th)}	Gate Threshold Voltage I _D = 17.7mA, V _{DS} = V _{GS}	1.8 -	2.5 2.0	3.6 -	VDC
I _{DSS}	Zero Gate Voltage Drain Current V _{DS} = 1200 V, V _{GS} = 0V	-	1	25	μA
R _{DS(on)}	Drain-Source On-State Resistance I _D = 50A, V _{GS} = +15V	14 -	22 40	30 -	mΩ
C _{ISS} C _{OSS} C _{RSS}	Input Capacitance Output Capacitance Reverse Transfer capacitance V _{DS} = 200 V, V _{GS} = 0 V, f = 100 kHz, V _{AC} = 25 mV		4820 300 18		pF
Q _{gs} Q _{gd} Q _g	Gate to Source Charge Gate to Drain Charge Total Gate Charge V _{DS} = 600 V, I _D = 50A, V _{GS} = -4V/+15V		49 50 162		nC
Anti-parallel Diode (D1, D2, D3, D4) Characteristics					
V _F	Diode Forward Voltage I _F = 20A	1.0 -	1.5 2.0	1.8 -	VDC
I _R	Reverse Current V _R = 1200V	-	35	200	μA
QC	Total Capacitive Charge I _F = 20A, V _R = 400V, di/dt = 150 A/ μs	-	68	-	nC
Internal DC Link - Snubber Capacitance between V_{+_1}/V_{+_2} and V_{RTN_1}/V_{RTN_2}					
C1, C2	1.2 kV, NP0, ±5%, -55°C to 150°C	-	12	-	nF
Stray inductance					
L _{stray}	between pin 1 and 3 or pin 7 and 6		7.0		nH

Technical Data

Datasheet 6132, Rev. -

ELECTRICAL CHARACTERISTICS OF LOGIC AND DRIVER INPUT

T_J=25°C, UNLESS OTHERWISE SPECIFIED.

Production units are tested at room temperature. Low/High temperature operation is guaranteed by design.

SYMBOL	PARAMETER	MIN	TYP	MAX	UNIT
Absolute Maximum Ratings					
V _{is}	Logic supply voltage, V _{is} to V _{is_RTN}	-0.5		20.0	VDC
HI1, LI1, HI2, LI2	Input logic signals to V _{is_RTN} , TTL/CMOS compatible input threshold	-0.5		V _{Vis} +0.5	VDC
VDD, VSS VDD1, VSS1 VDD2, VSS2	Driver side supply voltage	-0.5		22.0	VDC
Recommend Operating Conditions					
V _{is}	Logic supply voltage, V _{is} to V _{is_RTN}	3.0		15.0	VDC
VDD, VSS VDD1, VSS1 VDD2, VSS2	Driver side supply voltage	18.0		20.0	VDC
V_{is} to V_{is_GND} Undervoltage Thresholds					
V _{is_ON}	UVLO rising threshold	2.5	2.7	2.9	VDC
V _{is_OFF}	UVLO falling threshold	2.3	2.5	2.7	VDC
V _{is_HYS}	UVLO threshold hysteresis		0.2		VDC
VDD-VSS, VDD1-VSS1, VDD2-VSS2 Undervoltage Thresholds					
	UVLO rising threshold	12.5	13.5	14.5	VDC
	UVLO falling threshold	11.5	12.5	13.5	VDC
	UVLO threshold hysteresis		1.0		VDC
EN1, EN2 Thresholds					
V _{ENH}	Enable high voltage	2.0			VDC
V _{ENH}	Enable low voltage			0.8	VDC
HI1, LI1, HI2 and LI2 Thresholds					
	Input logic high threshold voltage	1.6	1.8	2.0	VDC
	Input logic low threshold voltage	0.8	1.0	1.2	VDC
	Input logic threshold hysteresis		0.8		VDC
Switching Characteristics (V_{is} = 5V, VDD/VDD1/VDD2 = 15V)					
t _{RISE}	Output rise time, 20% to 80%, 1.8nF capacitor at gate drive output		6	16	ns

Technical Data

Datasheet 6132, Rev. -

ELECTRICAL CHARACTERISTICS OF LOGIC AND DRIVER INPUT

T_J=25°C, UNLESS OTHERWISE SPECIFIED.

Production units are tested at room temperature. Low/High temperature operation is guaranteed by design.

SYMBOL	PARAMETER	MIN	TYP	MAX	UNIT
t _{FALL}	Output fall time, 90% to 10%, 1.8nF capacitor at gate drive output		7	12	ns
t _{PDHL}	Propagation delay from logic input to gate drive signal falling edges	14	19	30	ns
t _{PDLH}	Propagation delay from logic input to gate drive signal rising edges	14	19	30	ns
t _{PWD}	Pulse width distortion t _{PDLH} - t _{PDHL}			5	ns
t _{DM}	Propagation delays matching between V _{G1} and V _{G2} , V _{G3} and V _{G4}			5	ns
NTC Thermistor Characteristics (Heraeus Nexensos's M Sensor)					
R ₀	Resistance @ T _C = 0 °C		1		K Ohm
R _{TOL}	Resistance Tolerance			±0.12	%
	Measuring Current	0.1		0.3	mA
TCR	$TCR = \frac{R_{100} - R_0}{R_0 * 100^\circ C}$ R ₁₀₀ is resistance at 100°C, R ₀ is resistance at 0°C		3850		ppm/K
	Temperature Range	-70		500	°C
Resistance vs Temperature	$t \geq 0^\circ$ $R(t) = R_0 * (1 + A * t + B * t^2)$ $t < 0^\circ C$ $R(t) = R_0 * (1 + A * t + B * t^2 + C * (t - 100^\circ C) * t^3)$;		$A = 3.9083 * 10^{-3}$ $B = -5.775 * 10^{-7}$ $C = -4.183 * 10^{-12}$	$^\circ C^{-1}$ $^\circ C^{-2}$ $^\circ C^{-4}$	
Internal Configurations					
VSS-VRTN_1 VSS-VRTN_2	VSS is internally clamped below VRTN_1/VTRN_2 for negative gate drive		-3.6		VDC
DT	Internal dead time setting		No		

Technical Data
Datasheet 6132, Rev. -

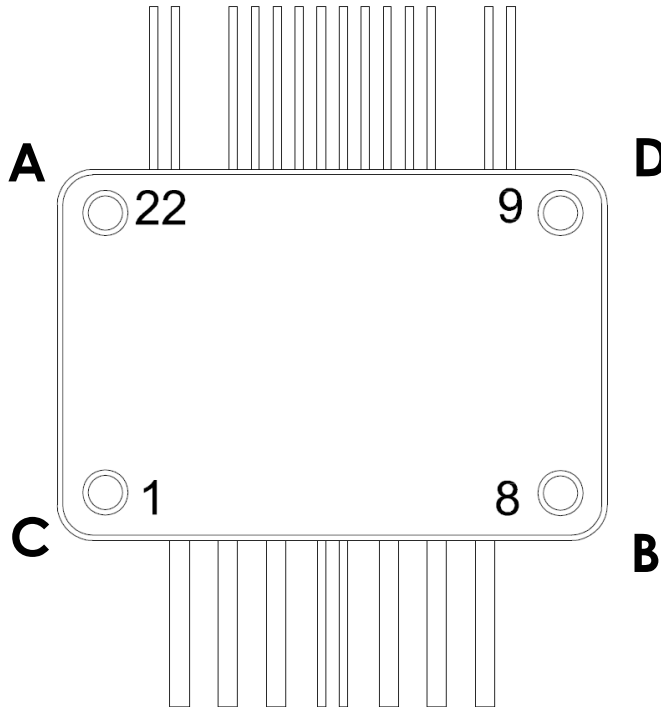
THERMAL AND MECHANICAL CHARACTERISTICS

SYMBOL	PARAMETER	MIN	TYP	MAX	UNIT
R _{θJB_M}	MOSFET Junction-to- Base Plate Thermal Resistance Per Leg	-	.339	.390	°C/W
R _{θJB_D}	Diode Junction-to-Base Plate Thermal Resistance Per Leg	-	.884	1.017	°C/W
Isolations	All pins to Base Plate/Screw mounting pads	-	-	2500	VDC
	Logic signals to driver signals	$ V_{is}-VDD $ $ V_{is}-VDD1 $ $ V_{is}-VDD2 $	-	2500	V _{RMS}
Mounting Torque	see installation instructions #4 Size Screw	3	-	4	in-lbs.
	Weight Module	-	32	40	g

INSTALLATION INSTRUCTIONS:

Recommended thermal interface material = Laird Tgon 805 (5 mil thick graphite pad)

1. Fasten screws to 1 to 2 in-lb. of torque in the following sequence: A, B, C, D.
2. Fasten screws to final torque in the same sequence: A, B, C, D



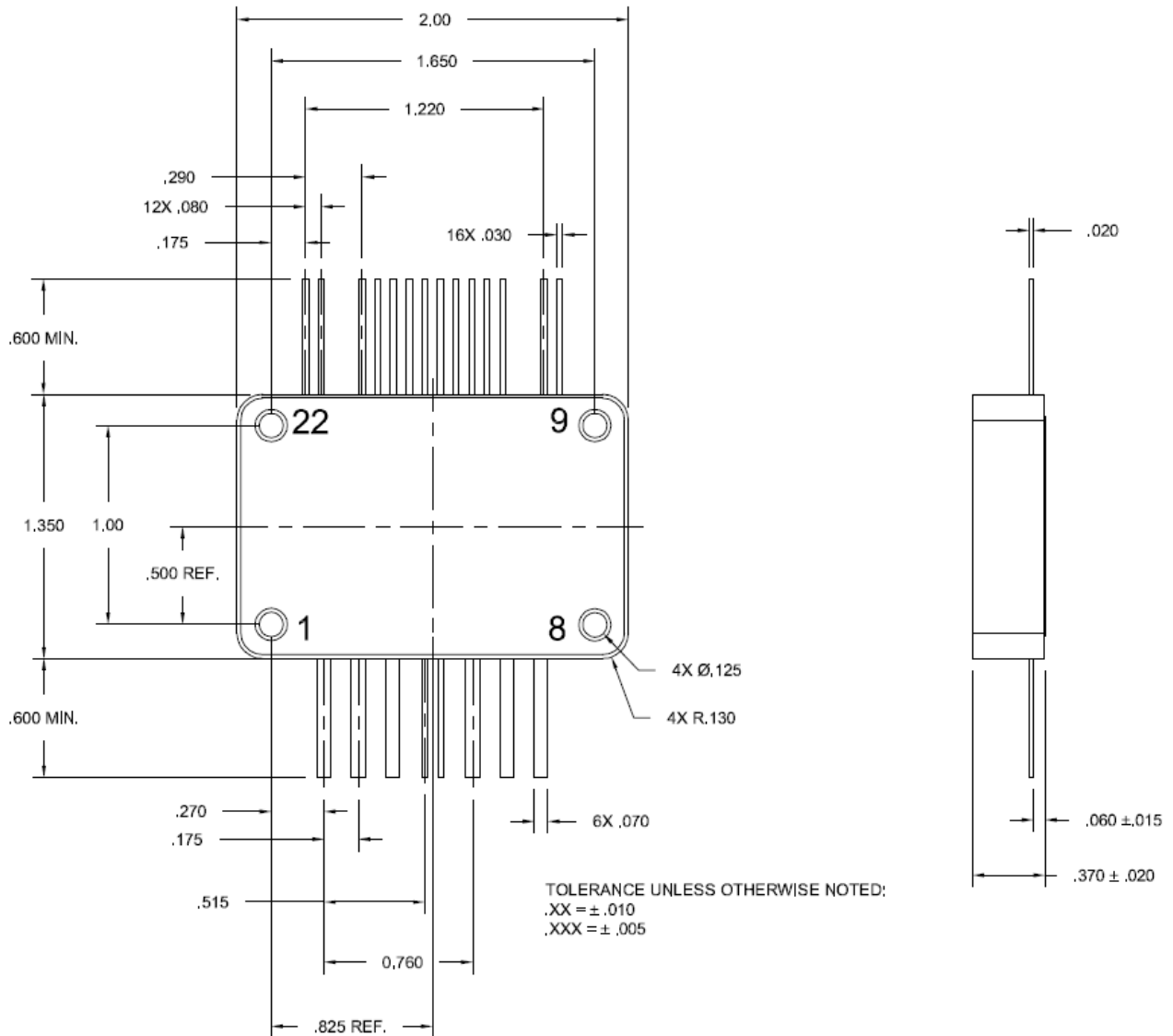
Technical Data
Datasheet 6132, Rev. -

PART NUMBER DESCRIPTION:

- “SPG060C120P2” – Straight Leads
- “SPG060C120P2A” – Surface Mount Lead Formation

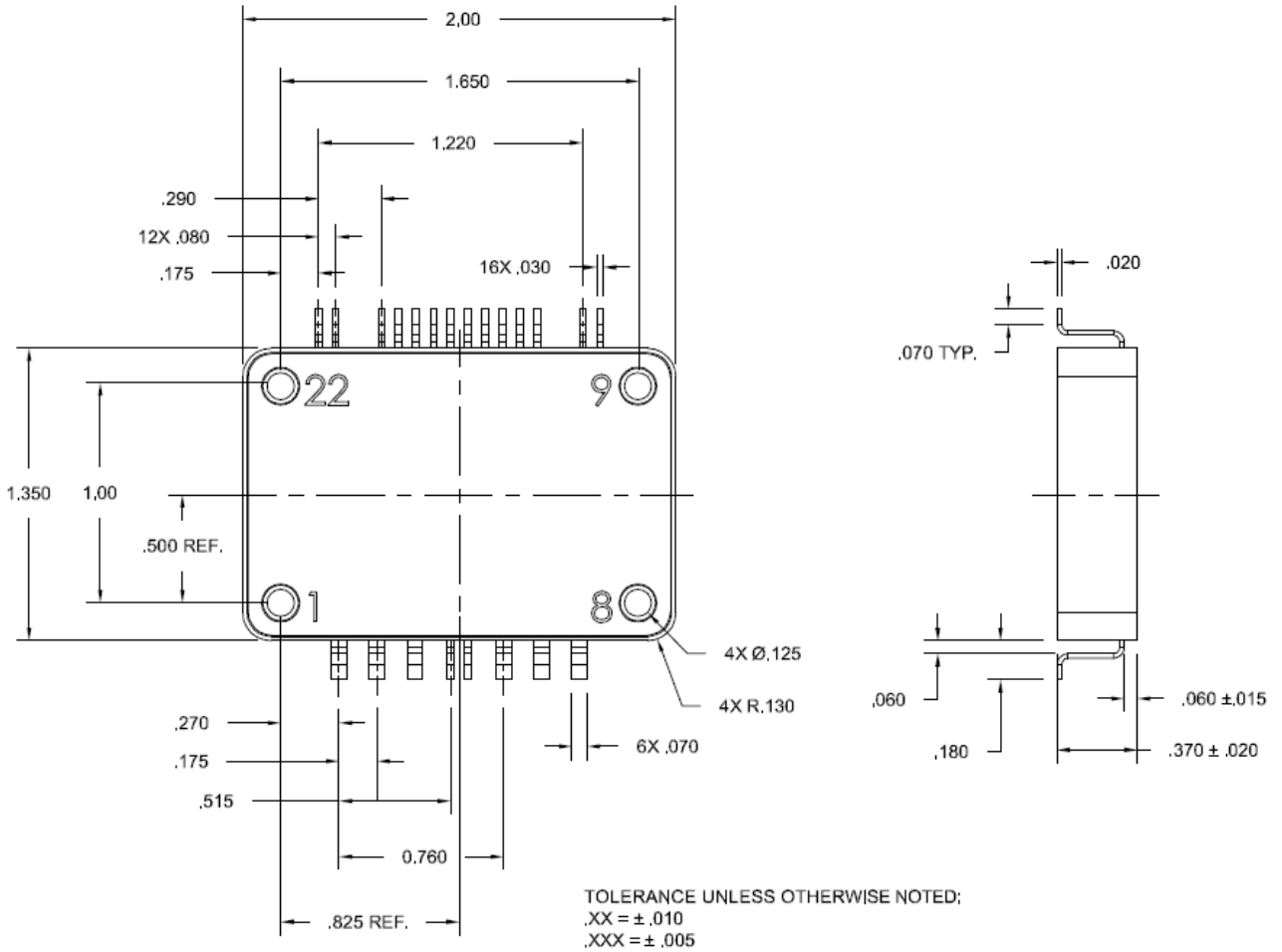
MECHANICAL OUTLINES (inches)

SPG060C120P2



Technical Data
Datasheet 6132, Rev. -

SPG060C120P2A



PINOUTS

- | | |
|---------------|-----------------|
| Pin 1: V+_1 | Pin 9: VSS2 |
| Pin 2: VO_1 | Pin 10: VDD2 |
| Pin 3: VRTN_1 | Pin 11: HI2 |
| Pin 4: VDD | Pin 12: LI2 |
| Pin 5: VSS | Pin 13: EN2 |
| Pin 6: VRTN_2 | Pin 14: Vis |
| Pin 7: VO_2 | Pin 15: RTD1 |
| Pin 8: V+_2 | Pin 16: RTD2 |
| | Pin 17: Vis_RTN |
| | Pin 18: LI1 |
| | Pin 19: HI1 |
| | Pin 20: EN1 |
| | Pin 21: VSS1 |
| | Pin 22: VDD1 |

Technical Data

Datasheet 6132, Rev. -

DISCLAIMER:

1- The information given herein, including the specifications and dimensions, is subject to change without prior notice to improve product characteristics. Before ordering, purchasers are advised to contact the Sensitron Semiconductor sales department for the latest version of the datasheet(s).

2- In cases where extremely high reliability is required (such as use in nuclear power control, aerospace and aviation, traffic equipment, medical equipment, and safety equipment), safety should be ensured by using semiconductor devices that feature assured safety or by means of users' fail-safe precautions or other arrangement.

3- In no event shall Sensitron Semiconductor be liable for any damages that may result from an accident or any other cause during operation of the user's units according to the datasheet(s). Sensitron Semiconductor assumes no responsibility for any intellectual property claims or any other problems that may result from applications of information, products or circuits described in the datasheets.

4- In no event shall Sensitron Semiconductor be liable for any failure in a semiconductor device or any secondary damage resulting from use at a value exceeding the absolute maximum rating.

5- No license is granted by the datasheet(s) under any patents or other rights of any third party or Sensitron Semiconductor.

6- The datasheet(s) may not be reproduced or duplicated, in any form, in whole or part, without the expressed written permission of Sensitron Semiconductor.

7- The products (technologies) described in the datasheet(s) are not to be provided to any party whose purpose in their application will hinder maintenance of international peace and safety nor are they to be applied to that purpose by their direct purchasers or any third party. When exporting these products (technologies), the necessary procedures are to be taken in accordance with related laws and regulations.