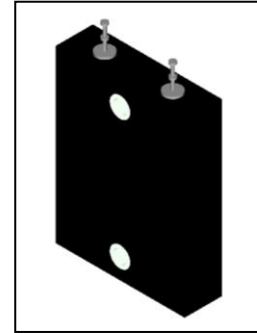


TECHNICAL DATA
DATA SHEET 562, REV. -

Transient Voltage Suppressor, Bi-directional



FEATURES:

- ◆ Equivalent Industry Standard Part Number – 90KS200/C
- ◆ 200 Volt Bidirectional
- ◆ Exceeds MIL-STD-1399 Requirements
- ◆ Can be screened to JAN/JANTX level

These devices are bidirectional Transient Suppressors for shipboard equipment and power servicing equipment where large voltage transients endanger voltage sensitive components. The screening would consist of 100% TX level environmental testing per MIL-S-19500/507A.

MAXIMUM RATINGS

Rating	Condition	Minimum	Maximum	Units
Peak Pulse Power Dissipation	@ 25°C	-	90,000	Watts
Steady State Power Dissipation	-	-	10	Watts
t _{clamping}	0 Volts to V _(BR)	-	< 1x 10 ⁻⁸	Seconds
Operating & Storage Temp.	-	-65	+ 150	°C
Capacitance	@ 0 Volts (Typ.)		170	pF

ELECTRICAL CHARACTERISTICS @ 25°C (Test Both Polarities)

Part Number	Reverse Stand-Off Voltage V _{WM} Volts	Maximum Reverse Leakage @ V _{WM} I _D µA	Breakdown Voltage @ 1 mA V _(BR) Volts		Maximum Clamping Voltage @ I _{PP2} V _C Volts	Peak Pulse Current I _{PP} Amps
			Min.	Max.		
90KS200C	180	0.5	200	225	280	180
90KS200	180	0.5	200	225	335	270

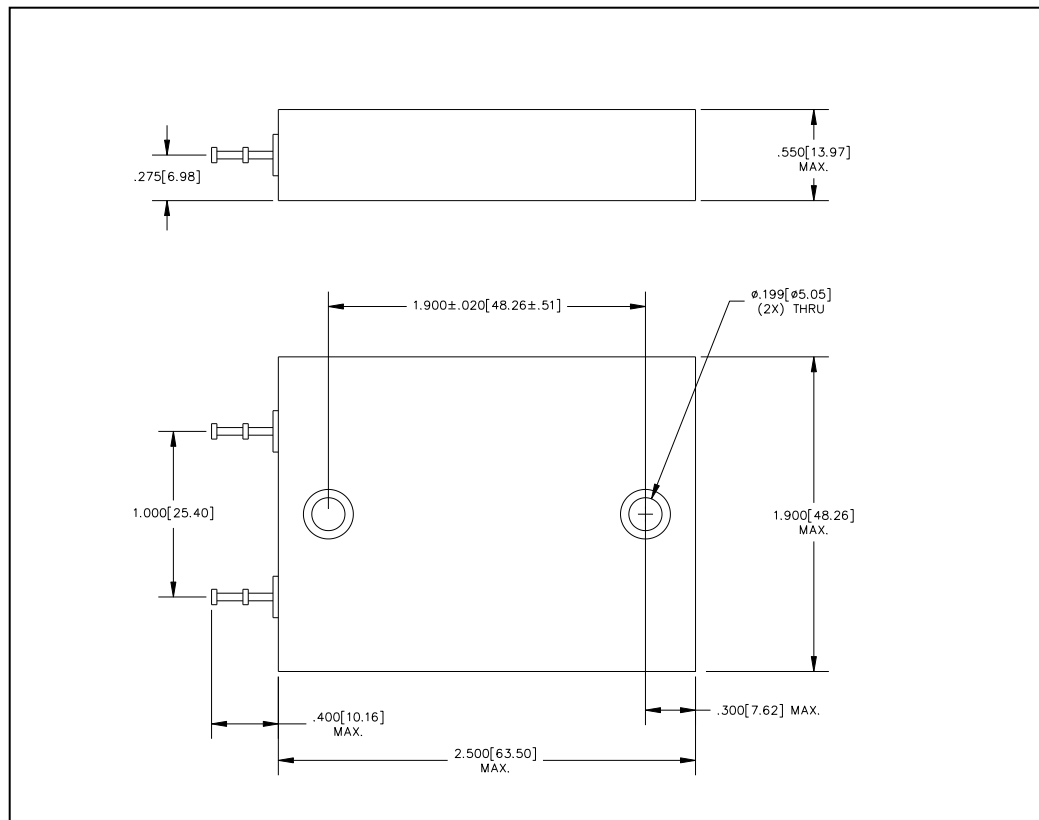
SENSITRON

**TECHNICAL DATA
DATA SHEET 562, REV. -**

MECHANICAL CHARACTERISTICS

CASE: Molded case.
TERMINAL: Hot solder dipped
POLARITY: Bidirectional
WEIGHT: 50 grams (Appx.)

MECHANICAL DIMENSIONS: In Inches / mm



DISCLAIMER:

- 1- The information given herein, including the specifications and dimensions, is subject to change without prior notice to improve product characteristics. Before ordering, purchasers are advised to contact the Sensitron Semiconductor sales department for the latest version of the datasheet(s).
- 2- In cases where extremely high reliability is required (such as use in nuclear power control, aerospace and aviation, traffic equipment, medical equipment, and safety equipment), safety should be ensured by using semiconductor devices that feature assured safety or by means of users' fail-safe precautions or other arrangement.
- 3- In no event shall Sensitron Semiconductor be liable for any damages that may result from an accident or any other cause during operation of the user's units according to the datasheet(s). Sensitron Semiconductor assumes no responsibility for any intellectual property claims or any other problems that may result from applications of information, products or circuits described in the datasheets.
- 4- In no event shall Sensitron Semiconductor be liable for any failure in a semiconductor device or any secondary damage resulting from use at a value exceeding the absolute maximum rating.
- 5- No license is granted by the datasheet(s) under any patents or other rights of any third party or Sensitron Semiconductor.
- 6- The datasheet(s) may not be reproduced or duplicated, in any form, in whole or part, without the expressed written permission of Sensitron Semiconductor.
- 7- The products (technologies) described in the datasheet(s) are not to be provided to any party whose purpose in their application will hinder maintenance of international peace and safety nor are they to be applied to that purpose by their direct purchasers or any third party. When exporting these products (technologies), the necessary procedures are to be taken in accordance with related laws and regulations.